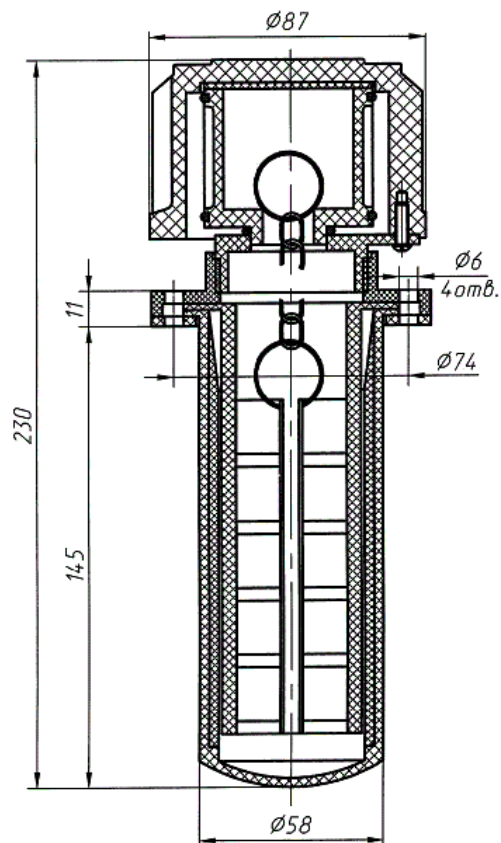


Filter filler FZ



Appointment

FZ filler filter is designed to clean the working fluid in the tank is filling in as well as to compensate for the pressure in the tank to ambient pressure caused by fluctuations in the liquid level with simultaneous air filtration.



Operating fluid: Fuel and hydraulic pressure fluids with kinematic viscosity from 10 to 400 mm² / s (cSt)

Liquid temperature: 0 to +80 ° C

Operating position: vertical

Symbol structure

